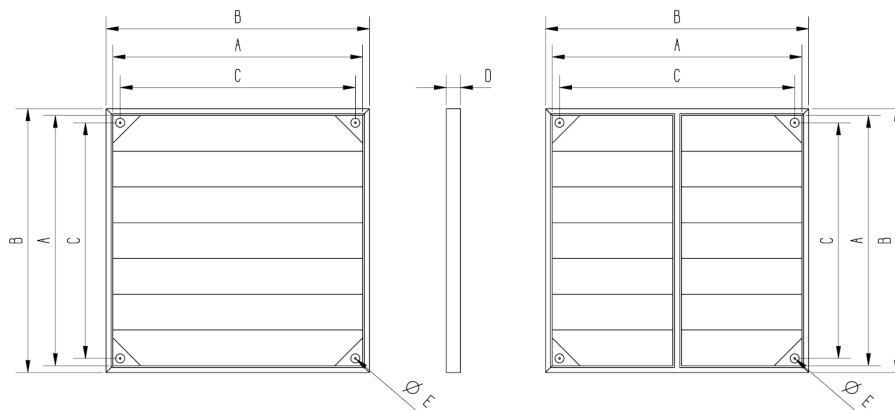




For fans with a diameter of 20 up to 92 cm Multifan supplies PVC shutters



| Type | Article number | Fan blade diameter (mm) | A | B | C | D | E |
|--|----------------|-------------------------|---------|---------|---------|------|---|
| VK200 | JALOVK200 | 200 | 205 | 244 | 166 | 27,5 | 5 |
| VK250 | JALOVK250 | 250 | 255 | 294 | 216 | 27,5 | 5 |
| VK300 | JALOVK300 | 300 | 308 | 347 | 269 | 27,5 | 5 |
| VK350 | JALOVK350 | 350 | 358 | 397 | 319 | 27,5 | 5 |
| VK400 | JALOVK400 | 400 | 418 | 457 | 379 | 27,5 | 5 |
| VK450 | JALOVK450 | 450 | 462 | 501 | 423 | 27,5 | 5 |
| VK500 | JALOVK500 | 500 | 510 | 549 | 471 | 27,5 | 5 |
| Shutters for fans with diameter 560 mm - 630 mm - 710 mm - 960 mm have 2 louvre sections | | | | | | | |
| VK560 | JALOVK560 | 560 | 566 | 605 | 527 | 27,5 | 5 |
| VK630 | JALOVK630 | 630 | 650/657 | 689/696 | 611/618 | 27,5 | 5 |
| VK710 | JALOVK710 | 710 | 721 | 760 | 679 | 41 | 5 |
| VK960 | JALOVK960 | 960 | 917 | 960 | 879 | 41 | 5 |

Material : PVC-ultraviolet protected

Color : grey (RAL 7015)

Blade : reinforced shutter blade with steel rod which functions as pivot point on both ends of the blade in the shutter

Mounting : easy mounting on wall